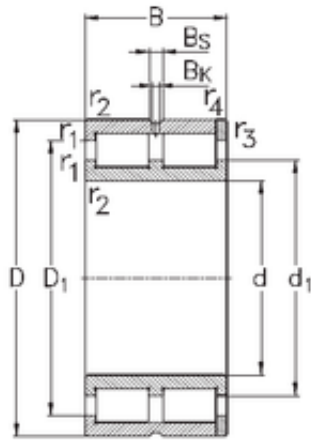




## Bearing equipment manufacturing Co., Ltd



### 300 mm x 420 mm x 118 mm NKE NNC4960-V cylindrical roller bearings

Bearing No. NNC4960-V

Size	300x420x118 mm
Bore Diameter	300 mm
Outer Diameter	420 mm
Width	118 mm
d	300 mm
D	420 mm
B	118 mm
C	118 mm
d1	346,5 mm
r1 min.	3 mm
r2 min.	3 mm
r3 min.	3 mm
r4 min.	3 mm
D1	375,5 mm
Weight	53 Kg
Basic dynamic load rating (C)	1559 kN
Basic static load rating (C0)	3637 kN

NNC4960-V Bearing 2D drawings and 3D CAD models