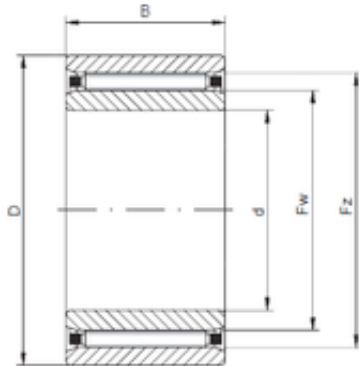




## Bearing equipment manufacturing Co., Ltd

15 mm x 32 mm x 12 mm ISO NAO15x32x12  
cylindrical roller bearings



Bearing No. NAO15x32x12

Size	15x32x12 mm
Bore Diameter	15 mm
Outer Diameter	32 mm
Width	12 mm
d	15 mm
Fw	20 mm
D	32 mm
Ew	26 mm
B	12 mm
C	12 mm

NAO15x32x12 Bearing 2D drawings and 3D CAD models