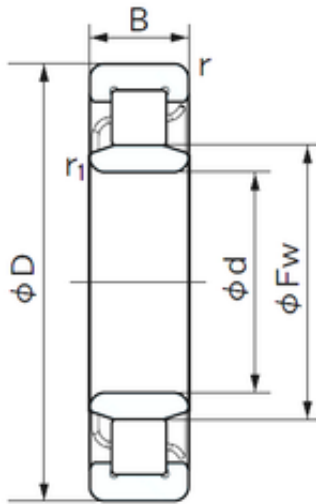




Bearing equipment manufacturing Co., Ltd



160 mm x 290 mm x 80 mm NACHI NU 2232
cylindrical roller bearings

Bearing No. NU 2232

Size	160x290x80 mm
Bore Diameter	160 mm
Outer Diameter	290 mm
Width	80 mm
d	160 mm
Fw	195 mm
D	290 mm
B	80 mm
r min.	3 mm
r1 min.	3 mm
Weight	24.1 Kg
Basic dynamic load rating (C)	630 kN
Basic static load rating (C0)	940 kN
(Grease) Lubrication Speed	1800 r/min

NU 2232 Bearing 2D drawings and 3D CAD models