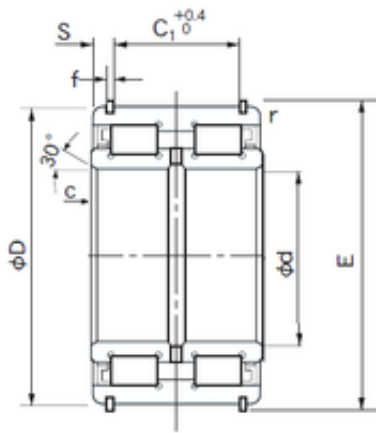




Bearing equipment manufacturing Co., Ltd



170 mm x 260 mm x 122 mm NACHI E5034NR cylindrical roller bearings

Bearing No. E5034NR

Size	170x260x122 mm
Bore Diameter	170 mm
Outer Diameter	260 mm
Width	122 mm
d	170 mm
D	260 mm
B	122 mm
C	121 mm
c	3.5 mm
f	4 mm
r min.	1.5 mm
C1	99 mm
E	277.2 mm
S	11 mm
Weight	22.5 Kg
Basic dynamic load rating (C)	850 kN
Basic static load rating (C0)	1730 kN

E5034NR Bearing 2D drawings and 3D CAD models