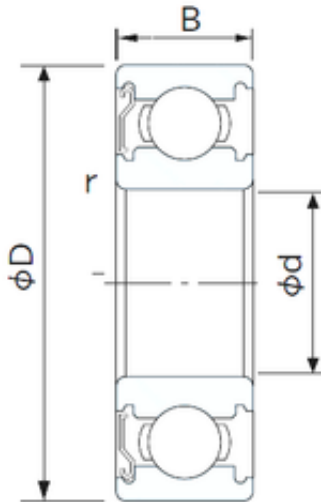




Bearing equipment manufacturing Co., Ltd



32 mm x 75 mm x 20 mm NACHI 63/32ZE
deep groove ball bearings

Bearing No. 63/32ZE

Size	32x75x20 mm
Bore Diameter	32 mm
Outer Diameter	75 mm
Width	20 mm
d	32 mm
D	75 mm
B	20 mm
C	20 mm
r min.	1.1 mm
da min.	39 mm
Da max.	68 mm
ra max.	1.0 mm
Weight	0.382 Kg
Basic dynamic load rating (C)	30 kN
Basic static load rating (C0)	16,2 kN
(Grease) Lubrication Speed	9000 r/min

63/32ZE Bearing 2D drawings and 3D CAD models