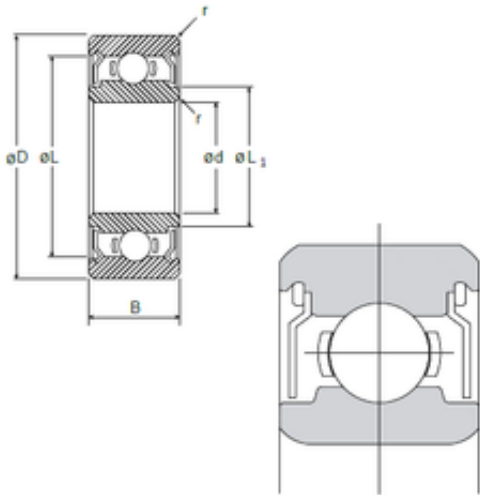




Bearing equipment manufacturing Co., Ltd



6,35 mm x 12,7 mm x 4,762 mm NMB
RI-814ZZ deep groove ball bearings

Bearing No. RI-814ZZ

Size	6.35x12.7x4.762 mm
Bore Diameter	6,35 mm
Outer Diameter	12,7 mm
Width	4,762 mm
d	6,35 mm
D	12,7 mm
B	4,762 mm
C	4,762 mm
r min.	0,13 mm
L	0,455 mm
L1	0,33 mm
Basic dynamic load rating (C)	0,828 kN

RI-814ZZ Bearing 2D drawings and 3D CAD models