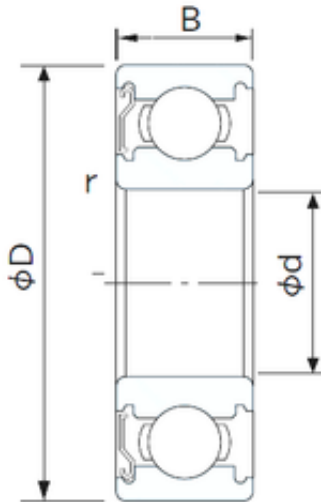




Bearing equipment manufacturing Co., Ltd



120 mm x 165 mm x 22 mm CYSD 6924-Z deep groove ball bearings

Bearing No. 6924-Z

Size	120x165x22 mm
Bore Diameter	120 mm
Outer Diameter	165 mm
Width	22 mm
d	120 mm
D	165 mm
B	22 mm
C	22 mm
r min.	1,1 mm
Weight	1,131 Kg
Basic dynamic load rating (C)	55 kN

6924-Z Bearing 2D drawings and 3D CAD models