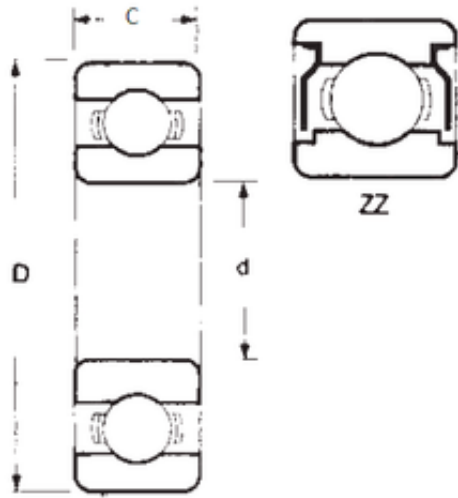




Bearing equipment manufacturing Co., Ltd



30 mm x 62 mm x 16 mm FBJ 6206ZZ deep groove ball bearings

Bearing No. 6206ZZ

Size	30x62x16 mm
Bore Diameter	30 mm
Outer Diameter	62 mm
Width	16 mm
d	30 mm
D	62 mm
B	16 mm
C	16 mm
Weight	0,2 Kg
Basic dynamic load rating (C)	19,5 kN
Basic static load rating (C0)	11,2 kN

6206ZZ Bearing 2D drawings and 3D CAD models