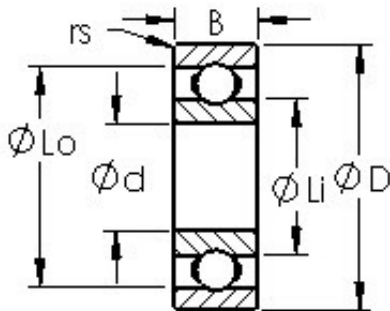




Bearing equipment manufacturing Co., Ltd



AST 6306 deep groove ball bearings

Bearing No. 6306

Size	30x72x19 mm
Bore Diameter	30 mm
Outer Diameter	72 mm
Width	19 mm
Bearing Type	Open
Bore Dia (d)	30.0000
Outer Dia (D)	72.0000
Width (B)	19.0000
Radius (min) (rs)	1.100
Dynamic Load Rating (Cr)	26,700
Static Load Rating (Cor)	15,000
Max Speed (Grease) (X00 RPM)	10
Max Speed (Oil) (X1000 RPM)	12
Max. Shaft Shoulder Dia. Inner (Li)	44.9
Min. Housing Shoulder Dia., Outer (Lo)	59.3
Ball Qty	8
Ball Dia (Dw)	11.9060
Weight (g)	346.00
Precision	A1
Standard Clearance	C0
Material	52100 Chrome Steel or equivalent

6306 Bearing 2D drawings and 3D CAD models