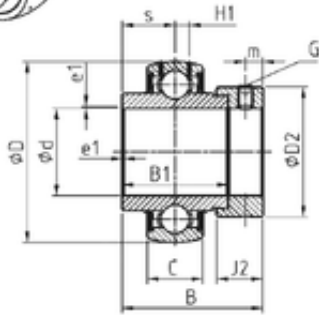




Bearing equipment manufacturing Co., Ltd



41,275 mm x 100 mm x 58,7 mm SNR
EX309-26 deep groove ball bearings

Bearing No. EX309-26

Size	41.275x100x58.7 mm
Bore Diameter	41,275 mm
Outer Diameter	100 mm
Width	58,7 mm
d	41,275 mm
D	100 mm
B	58,7 mm
B1	42,9 mm
C	30 mm
e	2 mm
a	4,7625 mm
m	8 mm
s	19,8 mm
D2	70 mm
H1	9 mm
Thread (G) - 3/8-24UNF	3/824UNF
J2	20,6 mm
Weight	1,57 Kg
Basic dynamic load rating (C)	53 kN

EX309-26 Bearing 2D drawings and 3D CAD models