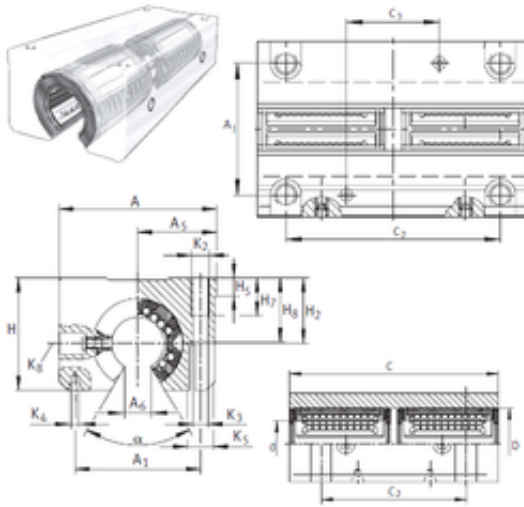




Bearing equipment manufacturing Co., Ltd



KTSO30-PP-AS Bearing 2D drawings and 3D CAD models

INA KTSO30-PP-AS linear bearings

Bearing No. KTSO30-PP-AS

Bore Diameter	30 mm
d	30 mm
A6	14,3 mm
H5	9,7 mm
H7	22 mm
H8	34 mm
K3	8,4 mm
K4	2,5 mm
K5	15 mm
Thread (K2)	M10
Thread (K8)	NIP 5 MZ
A5	43,5 mm
C3	54 mm
Angle (?)	57 °
A	87 mm
A1	68 mm
C	142 mm
D	47 mm
H	60 mm
H2	35 mm
C2	106 mm
Weight	1,8 Kg
Basic dynamic load rating (C)	9,6 kN