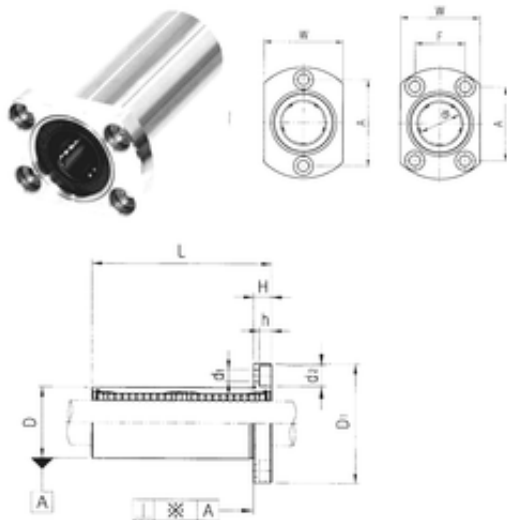




# Bearing equipment manufacturing Co., Ltd



## Samick LMH20LUU linear bearings

Bearing No. LMH20LUU

Bore Diameter	20 mm
Outer Diameter	32 mm
d	20 mm
D	32 mm
d1	5,5 mm
d2	9,5 mm
h	5,4 mm
A	36 mm
D1	54 mm
F	24 mm
H	8 mm
L	80 mm
W	38 mm
Tolerance perpendicularity (C)	20
Weight	0,26 Kg
Basic dynamic load rating (C)	1,4 kN

LMH20LUU Bearing 2D drawings and 3D CAD models