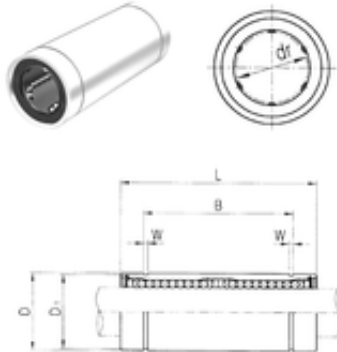




Bearing equipment manufacturing Co., Ltd

35 mm x 52 mm x 99 mm Samick LM35L linear bearings



Bearing No. LM35L

Size	35x52x99 mm
Bore Diameter	35 mm
Outer Diameter	52 mm
Width	99 mm
d	35 mm
D	52 mm
B	99 mm
D1	49 mm
L	135 mm
W	2,1 mm
Weight	0,795 Kg
Basic dynamic load rating (C)	2,65 kN

LM35L Bearing 2D drawings and 3D CAD models