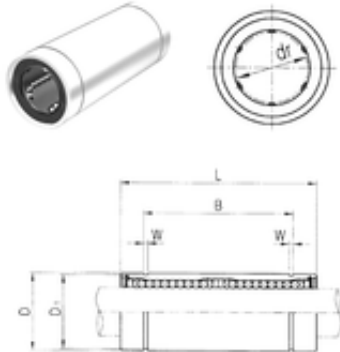




Bearing equipment manufacturing Co., Ltd

50 mm x 80 mm x 148 mm Samick LM50L linear bearings



Bearing No. LM50L

Size	50x80x148 mm
Bore Diameter	50 mm
Outer Diameter	80 mm
Width	148 mm
d	50 mm
D	80 mm
B	148 mm
D1	76,5 mm
L	192 mm
W	2,6 mm
Weight	3,1 Kg
Basic dynamic load rating (C)	6,08 kN

LM50L Bearing 2D drawings and 3D CAD models