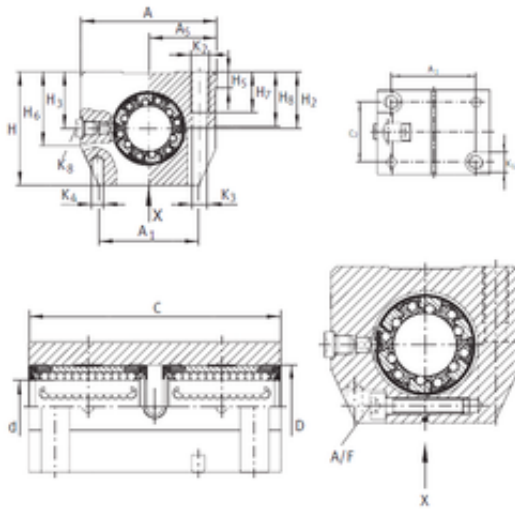




## Bearing equipment manufacturing Co., Ltd



KTNS 12 C-PP-AS Bearing 2D drawings and 3D CAD models

### INA KTNS 12 C-PP-AS linear bearings

Bearing No. KTNS 12 C-PP-AS

Bore Diameter	12 mm
Outer Diameter	22 mm
d	12 mm
D	22 mm
A/F	2,5 mm
H5	6 mm
H6	25,5 mm
H7	11 mm
H8	16,5 mm
K3	4,3 mm
K4	4 mm
K5	8 mm
Thread (K2)	M5
H3	18 mm
A5	21,5 mm
C3	24 mm
A	43 mm
A1	32 mm
C	70 mm
H	35 mm
H2	18 mm
C2	56 mm
Weight	0,21 Kg
Basic dynamic load rating (C)	1,27 kN