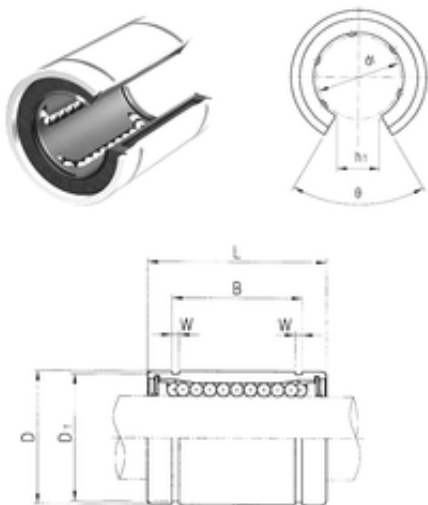




## Bearing equipment manufacturing Co., Ltd



25 mm x 40 mm x 44,1 mm Samick LME25OP  
linear bearings

Bearing No. LME25OP

Size	25x40x44.1 mm
Bore Diameter	25 mm
Outer Diameter	40 mm
Width	44,1 mm
d	25 mm
D	40 mm
h1	12,5 mm
B	44,1 mm
D1	37,5 mm
L	58 mm
W	1,85 mm
	60 mm
Weight	0,215 Kg
Basic dynamic load rating (C)	0,98 kN

LME25OP Bearing 2D drawings and 3D CAD models