

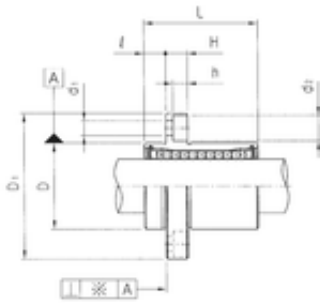


Bearing equipment manufacturing Co., Ltd



Samick LMFP50UU linear bearings

Bearing No. LMFP50UU



LMFP50UU Bearing 2D drawings and 3D CAD models

Bore Diameter	50 mm
Outer Diameter	80 mm
d	50 mm
D	80 mm
d1	9 mm
d2	14 mm
h	8,6 mm
D1	116 mm
H	13 mm
L	100 mm
PCD	98 mm
	13 Tolerance h14
Tolerance perpendicularity (C)	20
Weight	2,2 Kg
Basic dynamic load rating (C)	3,82 kN