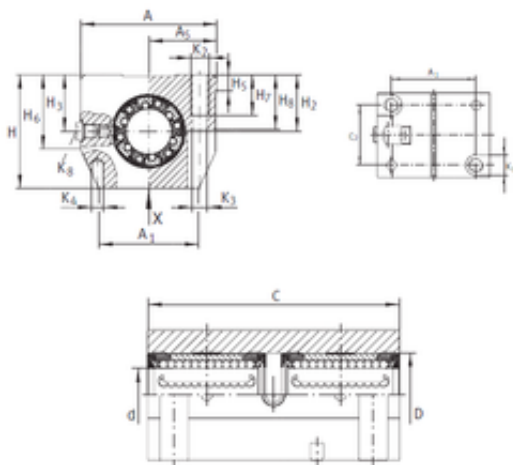




Bearing equipment manufacturing Co., Ltd



INA KTN 20 C-PP-AS linear bearings

Bearing No. KTN 20 C-PP-AS

Bore Diameter	20 mm
Outer Diameter	32 mm
d	20 mm
D	32 mm
H5	7,5 mm
H6	33 mm
H7	18 mm
H8	24 mm
K3	6,6 mm
K4	5 mm
K5	11 mm
Thread (K2)	M8
H3	25 mm
A5	30 mm
C3	33 mm
A	60 mm
A1	45 mm
C	96 mm
H	50 mm
H2	25 mm
C2	76 mm
Weight	0,56 Kg
Basic dynamic load rating (C)	2,85 kN

KTN 20 C-PP-AS Bearing 2D drawings and 3D CAD models