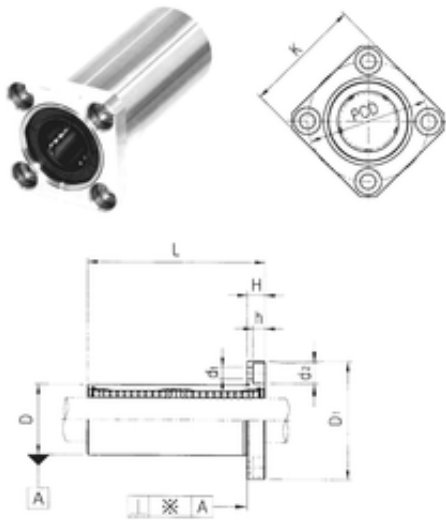




# Bearing equipment manufacturing Co., Ltd



LMEK25LUU Bearing 2D drawings and 3D CAD models

## Samick LMEK25LUU linear bearings

Bearing No. LMEK25LUU

Bore Diameter	25 mm
Outer Diameter	40 mm
d	25 mm
D	40 mm
K	5,5 mm
d1	9,5 mm
d2	5,4 mm
h	50 mm
D1	62 mm
H	8 mm
L	112 mm
PCD	51 mm
Tolerance perpendicularity (C)	17
Weight	0,515 Kg
Basic dynamic load rating (C)	1560 kN