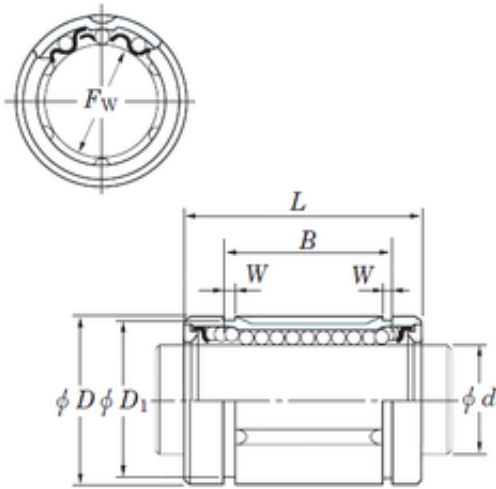




Bearing equipment manufacturing Co., Ltd



KOYO SDM40 linear bearings

Bearing No. SDM40

Size	40x60x60.5 mm
Bore Diameter	40 mm
Outer Diameter	60 mm
Width	60,5 mm
Fw	40 mm
D	60 mm
B	60,5 mm
D1	57 mm
L	80 mm
W	2,1 mm
Weight	0,59 Kg
Basic dynamic load rating (C)	2180 kN

SDM40 Bearing 2D drawings and 3D CAD models