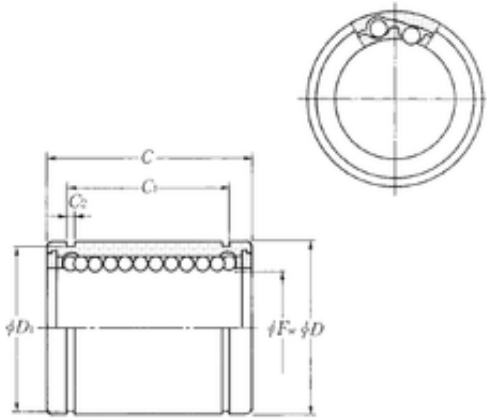




## Bearing equipment manufacturing Co., Ltd

### NTN KLM05LL linear bearings

Bearing No. KLM05LL



Size	5x10x15 mm
Bore Diameter	5 mm
Outer Diameter	10 mm
Width	15 mm
Fw	5 mm
D	10 mm
C	15 mm
Weight	0,005 Kg
Basic dynamic load rating (C)	118 kN

KLM05LL Bearing 2D drawings and 3D CAD models