

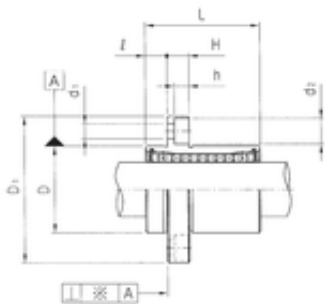


# Bearing equipment manufacturing Co., Ltd



## Samick LMEFP12UU linear bearings

Bearing No. LMEFP12UU



LMEFP12UU Bearing 2D drawings and 3D CAD models

Bore Diameter	12 mm
Outer Diameter	22 mm
d	12 mm
D	22 mm
d1	8 mm
d2	4,4 mm
h	6 mm
D1	42 mm
H	32 mm
L	32 mm
PCD	4,5 mm
	6 Tolerance h14
Tolerance perpendicularity (C)	12
Weight	0,086 Kg
Basic dynamic load rating (C)	0,41 kN