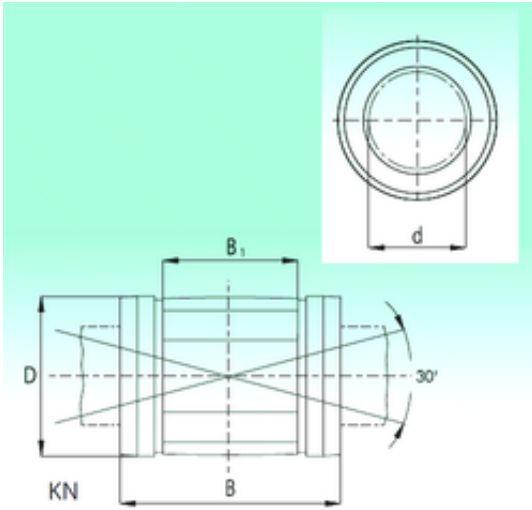




Bearing equipment manufacturing Co., Ltd



KN4080-PP Bearing 2D drawings and 3D CAD models

40 mm x 62 mm x 80 mm NBS KN4080-PP
linear bearings

Bearing No. KN4080-PP

Size	40x62x80 mm
Bore Diameter	40 mm
Outer Diameter	62 mm
Width	80 mm
d	40 mm
D	62 mm
B	80 mm
B1	56 mm
Weight	0,36 Kg
Basic dynamic load rating (C)	5,5 kN