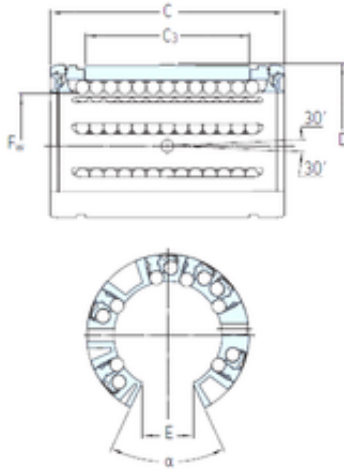




Bearing equipment manufacturing Co., Ltd



SKF LBCF 12 A-2LS linear bearings

Bearing No. LBCF 12 A-2LS

Size	12x22x32 mm
Bore Diameter	12 mm
Outer Diameter	22 mm
Width	32 mm
Fw	12 mm
D	22 mm
C	32 mm
C3	20 mm
Angle (°)	78 °
E	7,6 mm
Weight	0,012 Kg
Basic dynamic load rating (C)	1,08 kN

LBCF 12 A-2LS Bearing 2D drawings and 3D CAD models