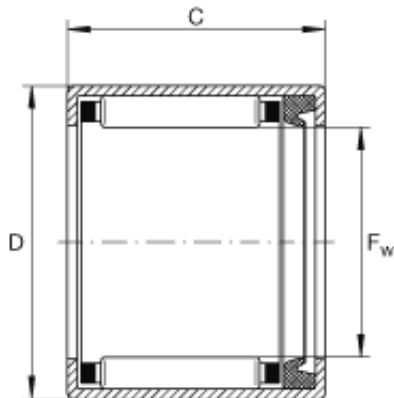




Bearing equipment manufacturing Co., Ltd



INA SCE89-P needle roller bearings

Bearing No. SCE89-P

SCE89-P Bearing 2D drawings and 3D CAD models

Size	12.7x17.462x14.288 mm
Bore Diameter	12,7 mm
Outer Diameter	17,462 mm
Width	14,288 mm
F _w	1/2 inch
F _w	12,7 mm
D	0,688 inch
D	17,462 mm
C	0,563 inch
C	14,288 mm
m	0,022 lbs / Weight
m	10 g / Weight
C _r	1550 lbf / Dynamic load rating (radial)
C _r	6900 N / Dynamic load rating (radial)
C _{0r}	2020 lbf / Static load rating (radial)
C _{0r}	9000 N / Static load rating (radial)
n _G	19500 1/min / Limiting speed
n _B	13800 1/min / Reference speed
Category	Needle Non Thrust Roller Bearings
Inventory	0.0
Manufacturer Name	SCHAEFFLER GROUP



Bearing equipment manufacturing Co., Ltd

Minimum Buy Quantity	N/A
Weight / Kilogram	0.009
EAN	4054364122416
Product Group	B04144
Rolling Element	Needle Roller Bearing
Component	Roller Assembly with Outer Ring - No Inner Ring
Enclosure	1 Seal
Self Aligning	No
Retainer	Yes
Number of Rows of Rollers	Single Row
Separable	No
Closed End	No
Inch - Metric	Inch
Relubricatable	No
Thrust Bearing	No
Long Description	1/2" Bore; 11/16" Outside Diameter; 9/16" Width; Needle Roller Bearing; Roller Assembly with Outer Ring - No Inner Ring; 1 Seal Enclosure; No Self Aligning; Yes Retainer; Single Row of
Other Features	2 Rib Outer Ring Drawn Cup Bearing Steel Cage
Category	Needle Non Thrust Roller Bearing
UNSPSC	31171512
Harmonized Tariff Code	8482.40.00.00
Noun	Bearing
Keyword String	Needle
Manufacturer URL	http://www.ina.com
Manufacturer Item Number	SCE89P
Weight / LBS	0.022
Bore	0.5 Inch 12.7 Millimeter



Bearing equipment manufacturing Co., Ltd

Outside Diameter	0.688 Inch 17.475 Millimeter
Width	0.562 Inch 14.275 Millimeter