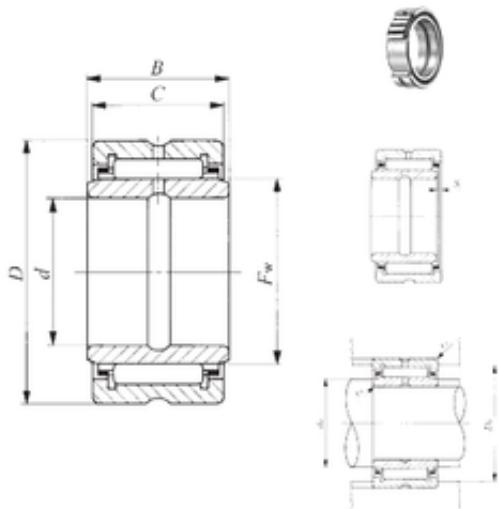




Bearing equipment manufacturing Co., Ltd



15,875 mm x 34,925 mm x 25,65 mm IKO BRI 102216 needle roller bearings

Bearing No. BRI 102216

Size	15.875x34.925x25.65 mm
Bore Diameter	15,875 mm
Outer Diameter	34,925 mm
Width	25,65 mm
d	15,875 mm
Fw	22,225 mm
D	34,925 mm
B	25,65 mm
C	25,4 mm
da min.	21 mm
da max	21,2 mm
Da max.	29,7 mm
ra max.	1 mm
S	0,5 mm
Weight	0,122 Kg
Basic dynamic load rating (C)	29,1 kN
Basic static load rating (C0)	36,8 kN

BRI 102216 Bearing 2D drawings and 3D CAD models