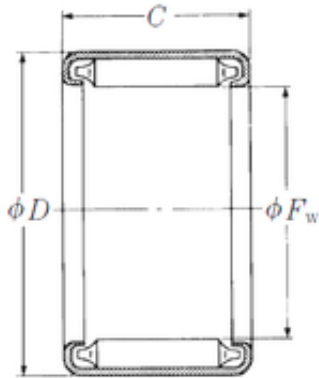




Bearing equipment manufacturing Co., Ltd

NSK BH-912 needle roller bearings



Bearing No. BH-912

Size	14.288x20.638x19.05 mm
Bore Diameter	14,288 mm
Outer Diameter	20,638 mm
Width	19,05 mm
Fw	14,288 mm
D	20,638 mm
C	19,05 mm
Weight	0,02 Kg
Basic dynamic load rating (C)	17,9 kN

BH-912 Bearing 2D drawings and 3D CAD models