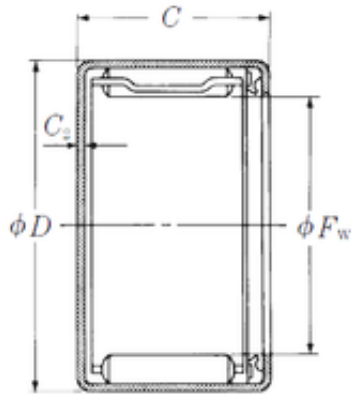




Bearing equipment manufacturing Co., Ltd

NSK MFJLT-1419 needle roller bearings

Bearing No. MFJLT-1419



Size	14x22x19 mm
Bore Diameter	14 mm
Outer Diameter	22 mm
Width	19 mm
Fw	14 mm
D	22 mm
C	19 mm
C2	1,1 mm
Weight	0,02 Kg
Basic dynamic load rating (C)	11,6 kN

MFJLT-1419 Bearing 2D drawings and 3D CAD models