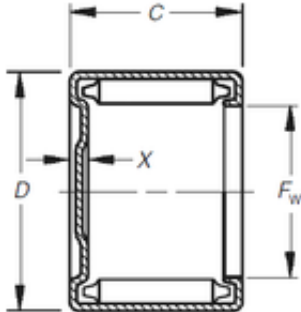




Bearing equipment manufacturing Co., Ltd

Timken M-36241 needle roller bearings



Bearing No. M-36241

Size	57.15x66.675x38.1 mm
Bore Diameter	57,15 mm
Outer Diameter	66,675 mm
Width	38,1 mm
F _w	57,15 mm
D	66,675 mm
C	38,1 mm
C1	3,3 mm
Weight	0,235 Kg
Basic dynamic load rating (C)	92,1 kN
Basic static load rating (C0)	257 kN
(Grease) Lubrication Speed	2000 r/min

M-36241 Bearing 2D drawings and 3D CAD models