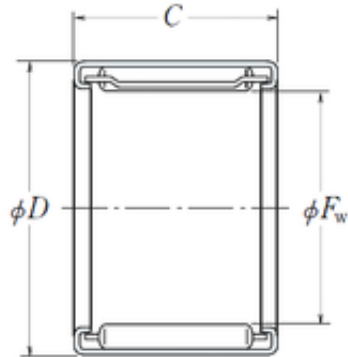




## Bearing equipment manufacturing Co., Ltd

### NSK FJ-1010 needle roller bearings



Bearing No. FJ-1010

Size	10x14x10 mm
Bore Diameter	10 mm
Outer Diameter	14 mm
Width	10 mm
Fw	10 mm
D	14 mm
C	10 mm
Weight	0,0036 Kg
Basic dynamic load rating (C)	3500 kN
(Grease) Lubrication Speed	20000 r/min
NB-DI	0
NA-DEX	12.747
hidYobi	FJ-1010
LangID	1
D_	14
NC-SLR	6.22
B_	10.5
n_yobi	FIR-071010
hidTable	ecat_NSDCNR
mass_k	3.6
d1	7
GRS rpm	20000
ra	0.3
NC-SLR1	0
C0	3.948
C1	10

FJ-1010 Bearing 2D drawings and 3D CAD models



## Bearing equipment manufacturing Co., Ltd

Prod_Type3	NRB_DC_FJ- MFJ_WC_OT
da	9
d	7
NC-RAC	0
Pmax	1760
N-SDM	0
yobi	FJ-1010
C1_C2	0.8
ND-Z	13
OIL rpm	32000
NC-DA	1.367
N-KBRG	8201
NC-KMS	13
B1	10.5