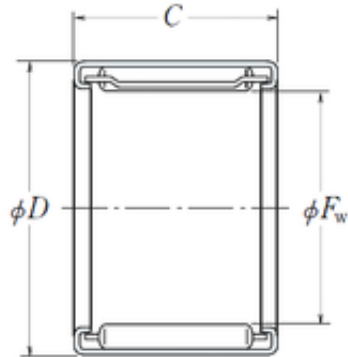




Bearing equipment manufacturing Co., Ltd

NSK FJ-2816 needle roller bearings



Bearing No. FJ-2816

Size	28x35x16 mm
Bore Diameter	28 mm
Outer Diameter	35 mm
Width	16 mm
Fw	28 mm
D	35 mm
C	16 mm
Weight	0,027 Kg
Basic dynamic load rating (C)	15600 kN
(Grease) Lubrication Speed	7100 r/min
NB-DI	0
NA-DEX	33.353
hidYobi	FJ-2816
LangID	1
D_	35
NC-SLR	10.8
B_	16.5
n_yobi	FIR-222816
hidTable	ecat_NSDCNR
mass_k	27
d1	22
GRS rpm	7100
ra	0.3
NC-SLR1	0
C0	23.134
C1	16

FJ-2816 Bearing 2D drawings and 3D CAD models



Bearing equipment manufacturing Co., Ltd

Prod_Type3	NRB_DC_FJ- MFJ_WC_OT
da	24
d	22
NC-RAC	0
Pmax	9950
N-SDM	0
yobi	FJ-2816
C1_C2	1
ND-Z	22
OIL rpm	11000
NC-DA	2.67
N-KBRG	8201
NC-KMS	22
B1	16.5