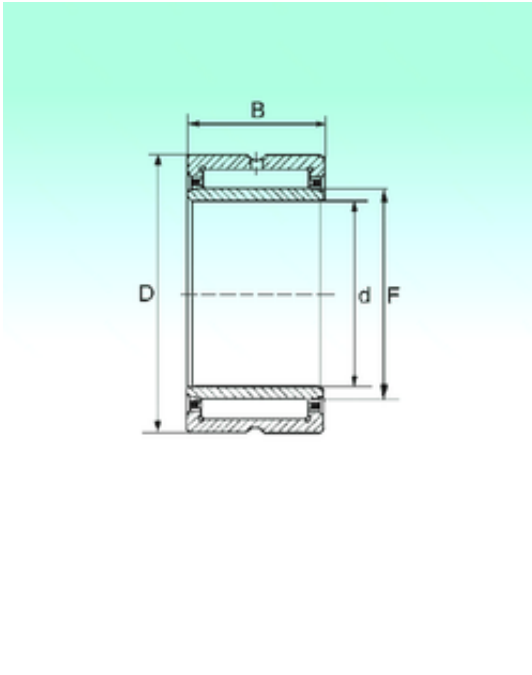




Bearing equipment manufacturing Co., Ltd



NA 4926 Bearing 2D drawings and 3D CAD models

NBS NA 4926 needle roller bearings

Bearing No. NA 4926

| | |
|-------------------------------|---------------|
| Size | 130x180x50 mm |
| Bore Diameter | 130 mm |
| Outer Diameter | 180 mm |
| Width | 50 mm |
| d | 130 mm |
| Fw | 150 mm |
| D | 180 mm |
| C | 50 mm |
| Weight | 3,9 Kg |
| Basic dynamic load rating (C) | 203 kN |
| Basic static load rating (C0) | 470 kN |