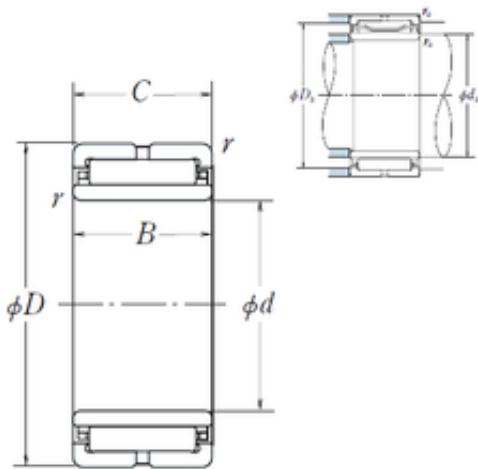




## Bearing equipment manufacturing Co., Ltd

### 32 mm x 52 mm x 27 mm NSK NA59/32 needle roller bearings

Bearing No. NA59/32



NA59/32 Bearing 2D drawings and 3D CAD models

Size	32x52x27 mm
Bore Diameter	32 mm
Outer Diameter	52 mm
Width	27 mm
d	32 mm
Fw	40 mm
D	52 mm
B	27 mm
C	27 mm
r min.	0,6 mm
da min.	36 mm
Da max.	48 mm
ra max.	0,6 mm
Weight	0,24 Kg
Basic dynamic load rating (C)	40,5 kN
Basic static load rating (C0)	66 kN
(Grease) Lubrication Speed	6700 r/min
hidYobi	NA59/32
LangID	1
D_	52
B_	27
hidTable	ecat_NSMRNR
GRS rpm	6700
ra	0.6
da_min	36



## Bearing equipment manufacturing Co., Ltd

d2	32
C0	66
C1_	27
DE_	48
SLR	19.8
Prod_Type3	NRB_S_NA
DA_	4
Z_	22
SI	40
yobi	NA59/32
da_max	48
OIL rpm	10000
SDM_	44
r	0.6
KBRG	8353
mass2	0.24
B1	27