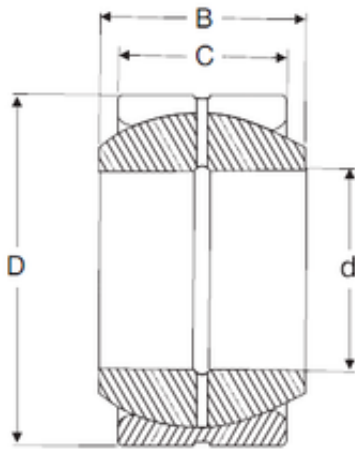




Bearing equipment manufacturing Co., Ltd



90 mm x 130 mm x 60 mm SIGMA GE 90 ES
plain bearings

Bearing No. GE 90 ES

Size	90x130x60 mm
Bore Diameter	90 mm
Outer Diameter	130 mm
Width	60 mm
d	90 mm
D	130 mm
B	60 mm
C	50 mm

GE 90 ES Bearing 2D drawings and 3D CAD models