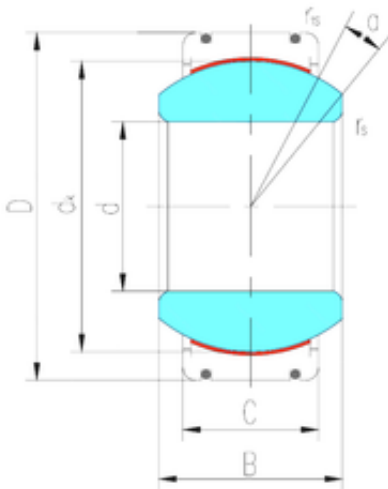




Bearing equipment manufacturing Co., Ltd



400 mm x 540 mm x 190 mm LS GEC400XT
plain bearings

Bearing No. GEC400XT

Size	400x540x190 mm
Bore Diameter	400 mm
Outer Diameter	540 mm
Width	190 mm
d	400 mm
D	540 mm
B	190 mm
C	160 mm
dk	470 mm
r min.	1,5 mm
r1 min.	4 mm
Angle	3 °
Weight	135 Kg
Basic dynamic load rating (C)	13530 kN

GEC400XT Bearing 2D drawings and 3D CAD models