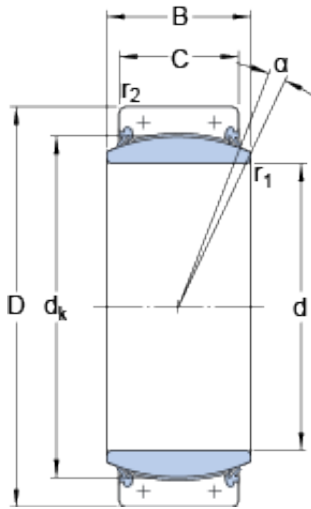




Bearing equipment manufacturing Co., Ltd



GEC 600 TXA-2RS Bearing 2D drawings and 3D CAD models

600 mm x 800 mm x 272 mm SKF GEC 600 TXA-2RS plain bearings

Bearing No. GEC 600 TXA-2RS

Size	800x600x272 mm
Bore Diameter	800 mm
Outer Diameter	600 mm
Width	272 mm
d	600 mm
D	800 mm
B	272 mm
C	230 mm
	3 °
d _k	655 mm
r ₁ - min.	2 mm
r ₂ - min.	5 mm
d _a - min.	627 mm
d _a - max.	644 mm
D _a - min.	692 mm
D _a - max.	760 mm
r _a - max.	2 mm
r _b - max.	5 mm
Basic dynamic load rating - C	43000 kN
Basic static load rating - C ₀	72000 kN
Specific factor dynamic load - K	300 N/mm ²
Specific factor static load - K ₀	500 N/mm ²
Lubricant	Maintenance free – dry



Bearing equipment manufacturing Co., Ltd

	lubrication
Design (sliding contact surface combination)	Steel/PTFE fabric
Sealing solution	Double-lip seals
	3 °
d_k	700 mm
r_1 min.	2 mm
r_2 min.	5 mm
d_a min.	627 mm
d_a max.	644 mm
D_a min.	692 mm
D_a max.	760 mm
r_a max.	2 mm
r_b max.	5 mm
Basic dynamic load rating C	43000 kN
Basic static load rating C_0	72000 kN
Specific dynamic load factor K	300 N/mm ²
Specific static load factor K_0	500 N/mm ²
Mass plain bearing	405 kg