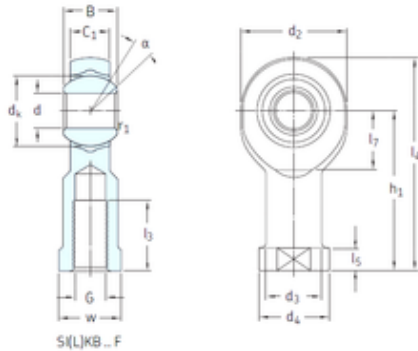




Bearing equipment manufacturing Co., Ltd

SKF SILKB18F plain bearings



Bearing No. SILKB18F

Bore Diameter	18 mm
d	18 mm
d2 max.	47 mm
d3	25 mm
d4 max.	32 mm
dk	31,7 mm
h1	71 mm
l3 min.	27 mm
l4 max.	95 mm
l5	10 mm
l7 min.	23 mm
r1 min.	0,3 mm
B	23 mm
C1 max	16,5 mm
w	27 Tolerance h14
Thread (G)	M18x1,5 Tolerance 6H
Angle	15 °
Weight	0,33 Kg
Basic dynamic load rating (C)	26 kN

SILKB18F Bearing 2D drawings and 3D CAD models