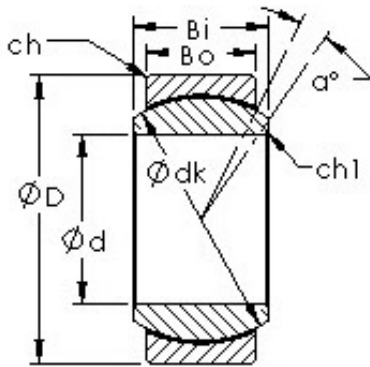




Bearing equipment manufacturing Co., Ltd



AST GE45N plain bearings

Bearing No. GE45N

Bore Diameter	45 mm
Outer Diameter	68 mm
Bearing Type	standard
Bore Dia (d)	45.0000
Outer Dia (D)	68.0000
Outer Width (Bo)	25.0000
Inner Width (Bi)	32.0000
Dynamic Load Rating (Cr)	90,000
Static Load Rating (Cor)	135,000
Max. shaft corner radius, or 45 deg. chamfer (ch1)	0.600
Max. housing corner radius, or 45 deg. chamfer (ch)	1.000
Spherical Diameter (dk or Dk)	60.000
Mis-alignment Angle (a deg.)	7
Weight (g)	421.00
Material - Outer ring - 52100 chrome steel or equivalent with PTFE plastic liner, Inner ring	52100 chrome steel or equivalent with hard chrome plating

GE45N Bearing 2D drawings and 3D CAD models