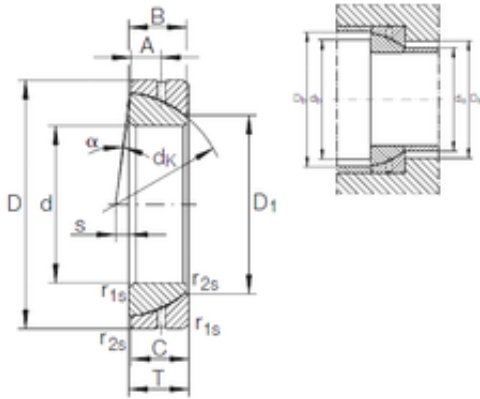




## Bearing equipment manufacturing Co., Ltd

60 mm x 95 mm x 22 mm INA GE 60 SX plain bearings



GE 60 SX Bearing 2D drawings and 3D CAD models

Bearing No. GE 60 SX

Size	60x95x23 mm
Bore Diameter	60 mm
Outer Diameter	95 mm
Width	23 mm
d	60 mm
D	95 mm
T	23 mm
B	22 mm
C	22 mm
dk	86 mm
r1 min.	1,5 mm
r2 min.	0,6 mm
A	11,5 mm
D1	68,1 mm
S	5 mm
da max	66,9 mm
Da min	76 mm
db min	77 mm
Db min.	87 mm
Angle	1,3 °
Weight	0,73 Kg
Basic dynamic load rating (C)	160 kN