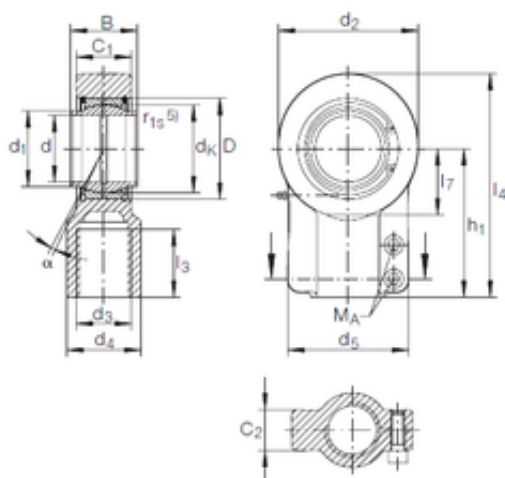




Bearing equipment manufacturing Co., Ltd



125 mm x 180 mm x 125 mm INA GIHNRK 125 LO plain bearings

Bearing No. GIHNRK 125 LO

Size	125x180x125 mm
Bore Diameter	125 mm
Outer Diameter	180 mm
Width	125 mm
d	125 mm
D	180 mm
B	125 mm
Screw	M20X70
d1	138 mm
d2	262 mm
d4	135 mm
dk	160 mm
h1	260 mm
l3 min.	113 mm
l4 max.	405 mm
l7 min.	120 mm
C1	102 mm
Thread (G)	M100X3
Angle	4 °
d5	200 r/min
C2	72 mm
Weight	43 Kg
Basic dynamic load rating (C)	950 kN

GIHNRK 125 LO Bearing 2D drawings and 3D CAD models