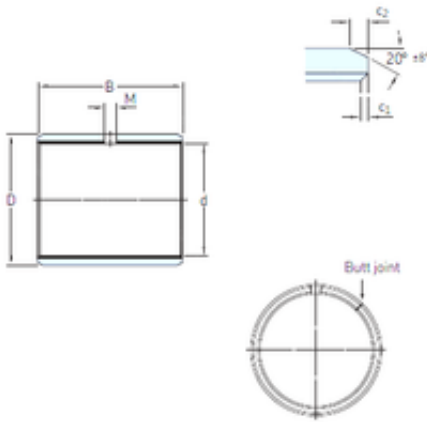




Bearing equipment manufacturing Co., Ltd



45 mm x 50 mm x 50 mm SKF PCM 455050 E
plain bearings

Bearing No. PCM 455050 E

PCM 455050 E Bearing 2D drawings and 3D CAD models

Size	45x50x50 mm
Bore Diameter	45 mm
Outer Diameter	50 mm
Width	50 mm
d	45 mm
D	50 mm
B	50 mm
c1 min	0,2 mm
c2 min	1,2 mm
M	– mm
Weight	0,14 Kg
Basic dynamic load rating (C)	176 kN
Category	Plain Bearings
Inventory	0.0
Manufacturer Name	SKF
Minimum Buy Quantity	N/A
Weight / Kilogram	1.525
EAN	7316571896250
Product Group	B04264
c ₁ min.	0.2 mm
c ₁ max.	1 mm
c ₂ min.	1.2 mm
c ₂ max.	2.4 mm
± 8	20 °
Tolerance shaft	f7



Bearing equipment manufacturing Co., Ltd

Tolerance housing	H7
Basic dynamic load rating - radial direction C	176 kN
Basic static load rating - radial direction C_0	550 kN
Specific dynamic load factor K	80 N/mm ²
Specific static load factor K_0	250 N/mm ²
Factor depending on material and bearing type K_M	480
Permissible sliding velocity v min.	0 m/s
Permissible sliding velocity v max.	2 m/s
Coefficient of friction μ min.	0.03
Coefficient of friction μ max.	0.25
Mass bushing	0.14 kg