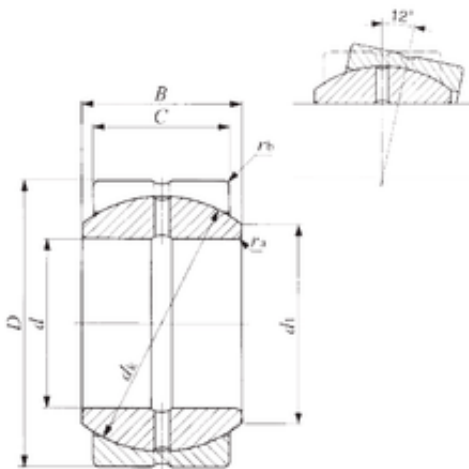




Bearing equipment manufacturing Co., Ltd

127 mm x 196,85 mm x 111,12 mm IKO SBB 80 plain bearings



Bearing No. SBB 80

Size	127x196.85x111.12 mm
Bore Diameter	127 mm
Outer Diameter	196,85 mm
Width	111,12 mm
d	127 mm
D	196,85 mm
B	111,12 mm
C	95,25 mm
d1	144,9 mm
dk	183 mm
ra max.	0,8 mm
rb max.	1,1 mm
Weight	13,5 Kg
Basic dynamic load rating (C)	1710 kN

SBB 80 Bearing 2D drawings and 3D CAD models