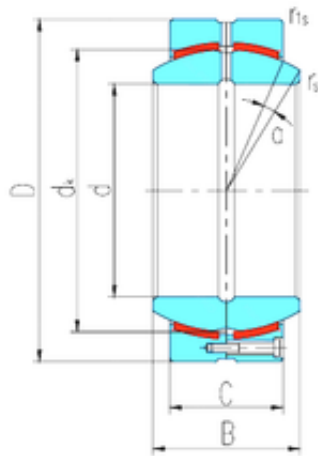




Bearing equipment manufacturing Co., Ltd



380 mm x 540 mm x 272 mm LS GEH380HCS
plain bearings

Bearing No. GEH380HCS

Size	380x540x272 mm
Bore Diameter	380 mm
Outer Diameter	540 mm
Width	272 mm
d	380 mm
D	540 mm
B	272 mm
C	258 mm
dk	494 mm
r min.	1,5 mm
r1 min.	4 mm
Angle	2 °
Weight	236 Kg
Basic dynamic load rating (C)	12740 kN

GEH380HCS Bearing 2D drawings and 3D CAD models