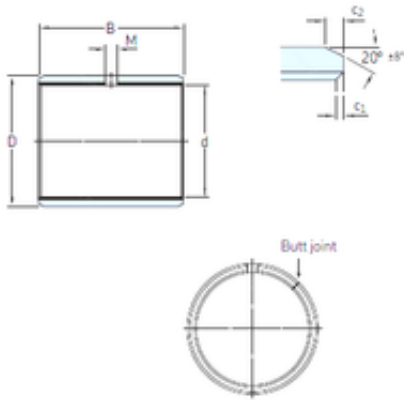




# Bearing equipment manufacturing Co., Ltd



## 19.05 mm x 22,225 mm x 25,4 mm SKF PCZ 1216 E plain bearings

Bearing No. PCZ 1216 E

PCZ 1216 E Bearing 2D drawings and 3D CAD models

Size	19.05x22.225x25.4 mm
Bore Diameter	19.05 mm
Outer Diameter	22,225 mm
Width	25,4 mm
d	19.05 mm
D	22,225 mm
B	25,4 mm
c1 min	0,1 mm
c2 min	0,2 mm
M	– mm
Weight	0,02 Kg
Basic dynamic load rating (C)	37,5 kN
c <sub>1</sub> min.	0.1 mm
c <sub>1</sub> max.	0.7 mm
c <sub>2</sub> min.	0.2 mm
c <sub>2</sub> max.	1 mm
± 8	20 °
Shaft diameter range min.	18.997 mm
Shaft diameter range max.	19.027 mm
Housing bore range min.	22.217 mm
Housing bore range max.	22.238 mm
Basic dynamic load rating - radial direction C	37.5 kN
Basic static load rating - radial direction C <sub>0</sub>	118 kN



## Bearing equipment manufacturing Co., Ltd

Specific dynamic load factor $K$	80 N/mm <sup>2</sup>
Specific static load factor $K_0$	250 N/mm <sup>2</sup>
Factor depending on material and bearing type $K_M$	480
Permissible sliding velocity $v$ min.	0 m/s
Permissible sliding velocity $v$ max.	2 m/s
Coefficient of friction $\mu$ min.	0.03
Coefficient of friction $\mu$ max.	0.25
Mass bushing	0.02 kg