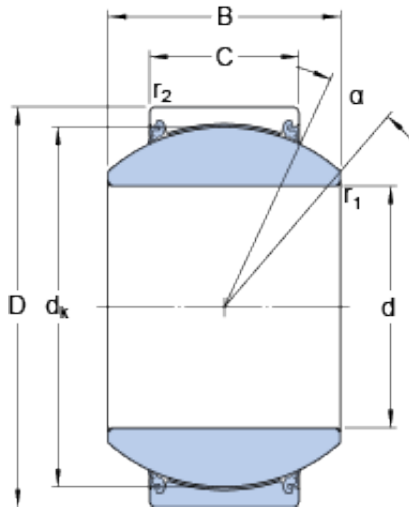




Bearing equipment manufacturing Co., Ltd



GEH 35 TXE-2LS Bearing 2D drawings and 3D CAD models

35 mm x 62 mm x 35 mm SKF GEH 35 TXE-2LS plain bearings

Bearing No. GEH 35 TXE-2LS

Size	62x35x35 mm
Bore Diameter	62 mm
Outer Diameter	35 mm
Width	35 mm
d	35 mm
D	62 mm
B	35 mm
C	22 mm
	15 °
d _k	53 mm
r ₁ - min.	0.6 mm
r ₂ - min.	1 mm
d _a - min.	39 mm
d _a - max.	39.7 mm
D _a - min.	54.5 mm
D _a - max.	57.5 mm
r _a - max.	0.6 mm
r _b - max.	1 mm
Basic dynamic load rating - C	280 kN
Basic static load rating - C ₀	465 kN
Specific factor dynamic load - K	300 N/mm ²
Specific factor static load - K ₀	500 N/mm ²
Lubricant	Maintenance free – dry



Bearing equipment manufacturing Co., Ltd

	Lubrication
Design (sliding contact surface combination)	Steel/PTFE fabric
Sealing solution	Triple-lip seals
	15 °
d_k	53 mm
r_1 min.	0.6 mm
r_2 min.	1 mm
d_a min.	39 mm
d_a max.	39.7 mm
D_a min.	54.5 mm
D_a max.	57.5 mm
r_a max.	0.6 mm
r_b max.	1 mm
Basic dynamic load rating C	280 kN
Basic static load rating C_0	465 kN
Specific dynamic load factor K	300 N/mm ²
Specific static load factor K_0	500 N/mm ²
Mass plain bearing	0.39 kg