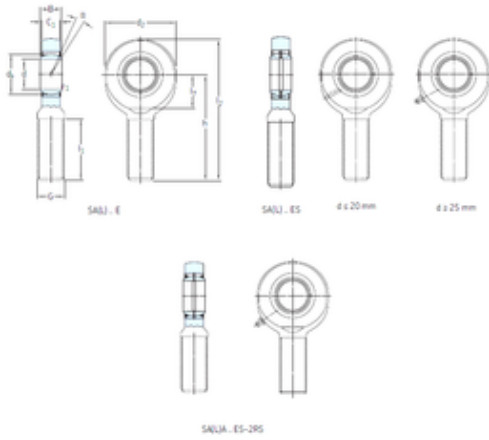




# Bearing equipment manufacturing Co., Ltd



## SKF SAL8E plain bearings

Bearing No. SAL8E

Bore Diameter	8 mm
d	8 mm
d2	25 mm
dk	13 mm
h	42 mm
l1 min.	21 mm
l2 max.	56 mm
l7 min.	11 mm
r1 min.	0,3 mm
B	8 mm
C1	6,5 mm
Thread (G)	M8 Tolerance 6g
Angle	15 °
Weight	0,029 Kg
Basic dynamic load rating (C)	5,5 kN

SAL8E Bearing 2D drawings and 3D CAD models