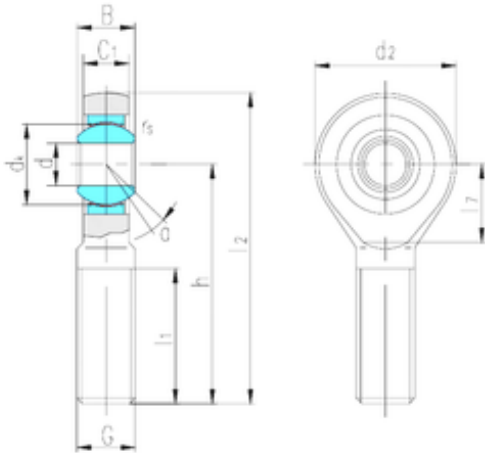




Bearing equipment manufacturing Co., Ltd



LS SA35ET-2RS plain bearings

Bearing No. SA35ET-2RS

Bore Diameter	35 mm
d	35 mm
B	25 mm
d2	82 mm
dk	47 mm
h	140 mm
l1 min.	82 mm
l2 max.	181 mm
l7 min.	41 mm
r min.	0,6 mm
C1 max	22 mm
Thread (G)	M36 × 3
Angle	6 °
Weight	1,4 Kg
Basic dynamic load rating (C)	140 kN

SA35ET-2RS Bearing 2D drawings and 3D CAD models