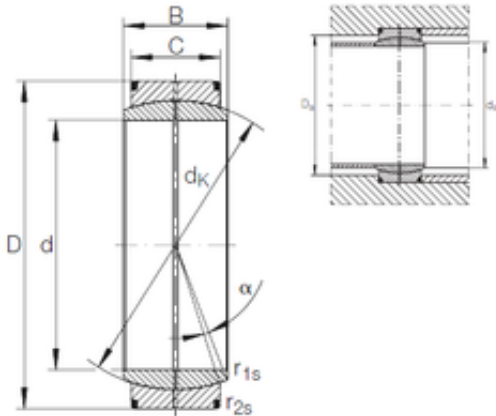




# Bearing equipment manufacturing Co., Ltd

900 mm x 1180 mm x 375 mm INA GE 900 DO plain bearings



Bearing No. GE 900 DO

Size	900x1180x375 mm
Bore Diameter	900 mm
Outer Diameter	1180 mm
Width	375 mm
d	900 mm
D	1180 mm
B	375 mm
C	320 mm
dk	1040 mm
r1 min.	3 mm
r2 min.	6 mm
da max	970 mm
Da min	995 mm
Angle	3,2 °
Weight	1184 Kg
Basic dynamic load rating (C)	31 kN

GE 900 DO Bearing 2D drawings and 3D CAD models