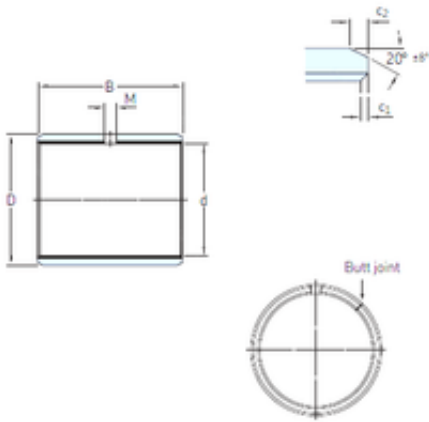




## Bearing equipment manufacturing Co., Ltd



### 150 mm x 155 mm x 100 mm SKF PCM 150155100 E plain bearings

Bearing No. PCM 150155100 E

|                               |                |
|-------------------------------|----------------|
| Size                          | 150x155x100 mm |
| Bore Diameter                 | 150 mm         |
| Outer Diameter                | 155 mm         |
| Width                         | 100 mm         |
| d                             | 150 mm         |
| D                             | 155 mm         |
| B                             | 100 mm         |
| c1 min                        | 0,2 mm         |
| c2 min                        | 1,2 mm         |
| M                             | – mm           |
| Weight                        | 0,89 Kg        |
| Basic dynamic load rating (C) | 1 200 kN       |
| Category                      | Plain Bearings |
| Inventory                     | 0.0            |
| Manufacturer Name             | SKF            |
| Minimum Buy Quantity          | N/A            |
| Weight / Kilogram             | 1.007          |
| EAN                           | 7316572201893  |
| Product Group                 | B04264         |
| bushing type:                 | Plain          |
| bushing material:             | PTFE           |
| inside diameter:              | 100 mm         |
| overall outside diameter:     | 150 mm         |
| bushing outside diameter:     | 150 mm         |
| groove type:                  | Plain Interior |

PCM 150155100 E Bearing 2D drawings and 3D CAD models



## Bearing equipment manufacturing Co., Ltd

|  |                       |
|--|-----------------------|
| overall length:  | 155 mm                |
| ground type:   | Ground                |
| c <sub>1</sub> min.  | 0.2 mm                |
| c <sub>1</sub> max.  | 1 mm                  |
| c <sub>2</sub> min.  | 1.2 mm                |
| c <sub>2</sub> max.  | 2.4 mm                |
| ± 8  | 20 °                  |
| Tolerance shaft  | h8                    |
| Tolerance housing  | H7                    |
| Basic dynamic load rating - radial direction C               | 1200 kN               |
| Basic static load rating - radial direction C <sub>0</sub>   | 3750 kN               |
| Specific dynamic load factor K                               | 80 N/mm <sup>2</sup>  |
| Specific static load factor K <sub>0</sub>                   | 250 N/mm <sup>2</sup> |
| Factor depending on material and bearing type K <sub>M</sub> | 480                   |
| Permissible sliding velocity v min.                          | 0 m/s                 |
| Permissible sliding velocity v max.                          | 2 m/s                 |
| Coefficient of friction μ min.                               | 0.03                  |
| Coefficient of friction μ max.                               | 0.25                  |
| Mass bushing   | 0.89 kg               |