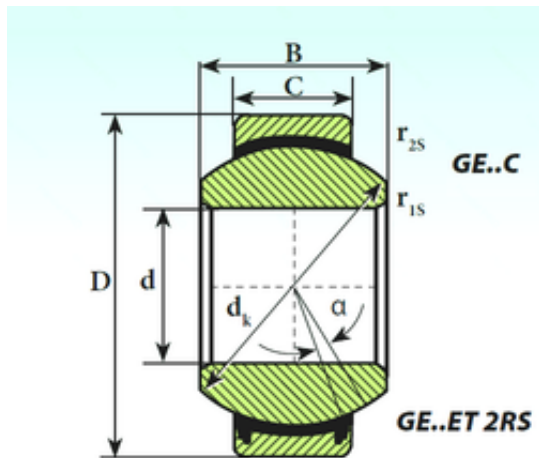




# Bearing equipment manufacturing Co., Ltd



4 mm x 12 mm x 5 mm ISB GE 4 C plain bearings

Bearing No. GE 4 C

Size	4x12x5 mm
Bore Diameter	4 mm
Outer Diameter	12 mm
Width	5 mm
d	4 mm
D	12 mm
B	5 mm
C	3 mm
Angle	16 °
Weight	0,0033 Kg
Basic dynamic load rating (C)	2,1 kN

GE 4 C Bearing 2D drawings and 3D CAD models